

Products Introduction

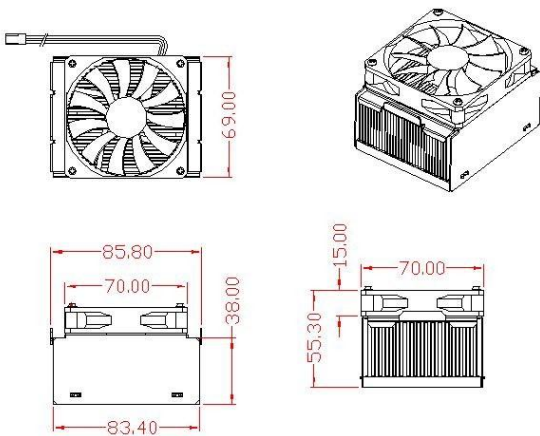
P4F1



SPECIFICATION :

- For INTEL Pentium 4 Northwood478 2.8GHz
Thermal Resistance : 0.43°C/W
Total dimension : 85.8(L) x 70(W) x 55.3(H) mm
- 1) heat sink : 83.4(L) x 69(W) x 40.3(H) mm
 - 2) fan : 70 x 70 x 15mm
- Clip : One Step Clip For Installation Quickly & Easily
- Fan Specification :
- 1) Speed : 4000rpm
 - 2) Voltage : 12V
 - 3) Air Flow : 31.4CFM
 - 4) Noise : 39dBA
 - 5) Bearing : One Ball & One Sleeve Bearing
- Interface Material : Dow Corning DC340

DRAWING

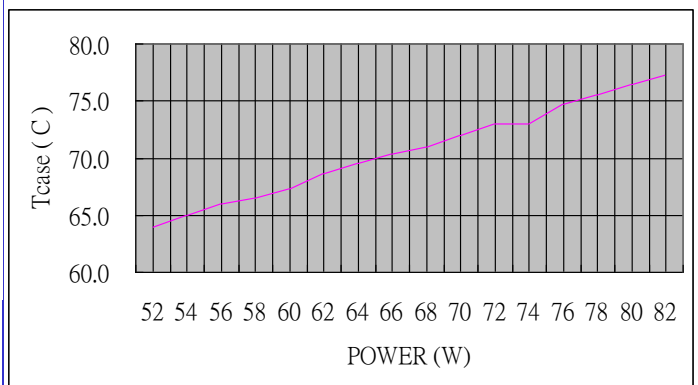


THERMAL TEST

THERMAL RESITANCE = 0.43 C/W

Nidec 7015U FAN

Tamb = 45 C



6F., No.75, Jian'an St., Xinzhuang Dist., New Taipei City 242, Taiwan (R.O.C.)

TEL: 886-2-22065314, 886-928549984

FAX: 886-2-22065314

<http://www.twcooling.com>

E-MAIL : sales@twcooling.com