

Products Introduction

P4F3



SPECIFICATION :

For Intel Pentium 4 2.8GHz

Thermal Resistance : 0.37°C/W

Total dimension : 83.3(L)x69.2(W) x58(H) mm

1) heat sink : 83.3(L)x69.2(W)x 43(H) mm

2) fan : 70 x 70 x 15mm

Fan Specification :

1) Speed : 4000rpm

2) Voltage : 12V

3) Air Flow : 31.4CFM

4) Noise : 39dBA

5) Bearing : One Ball & One Sleeve Bearing

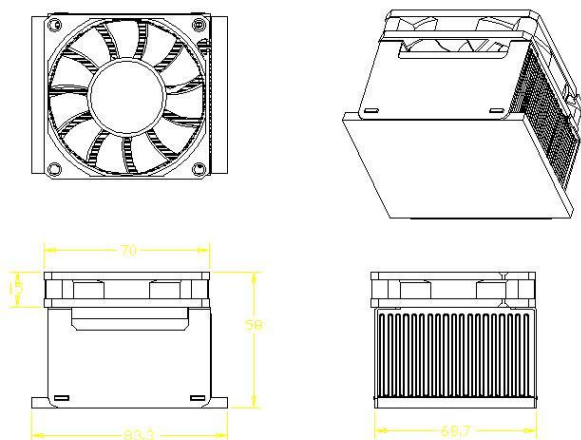
Heat Sink Material : Cu base, Al folded fin

Interface Material : Dow Corning SC102

Weight : 410 g

Clip Retention Force : 20 lbf

DRAWING

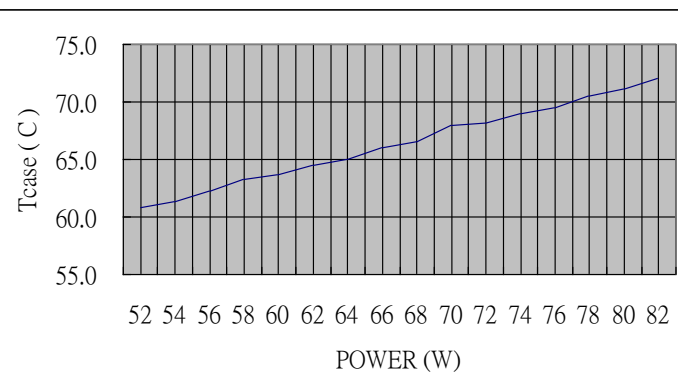


THERMAL TEST

THERMAL RESITANCE = 0.366 C/W

Nidec 7015U FAN

Ta = 45 C



6F., No.75, Jian'an St., Xinzhuang Dist., New Taipei City 242, Taiwan (R.O.C.)

TEL: 886-2-22065314, 886-928549984

<http://www.twcooling.com>

FAX: 886-2-22065314

E-MAIL : sales@twcooling.com