

## Products Introduction

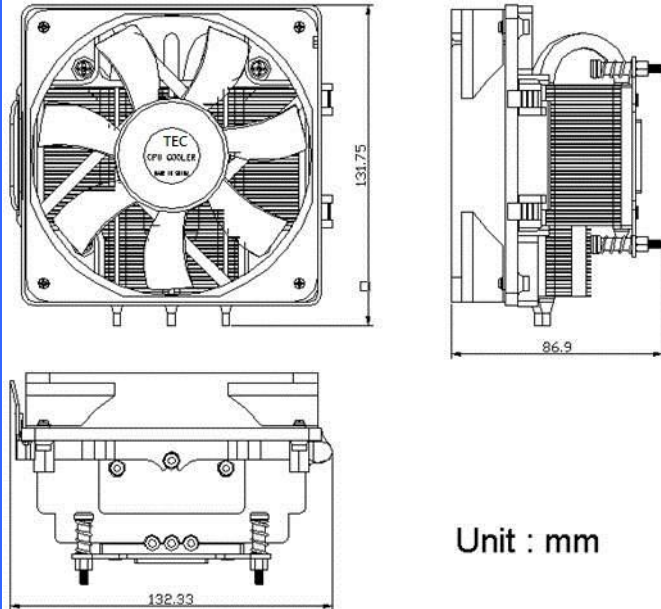
### P4H2



### SPECIFICATION

For Intel LGA 775 Prescott	
Thermal Resistance : 0.22 °C/W	
Total dimension:130x130x87 mm	
heat sink	120x110x47 mm
fan	120 x120x25.4 mm
Fan Specification	
Speed	1900 rpm
Voltage	12V
Air Flow	62.93 CFM
Noise	32.5 dBA
Bearing	2 Ball
Heat Sink	
Material	Aluminum Fin
Heatpipe	Ø6 Copper Tube x 3
Weight	665 g

### DRAWING

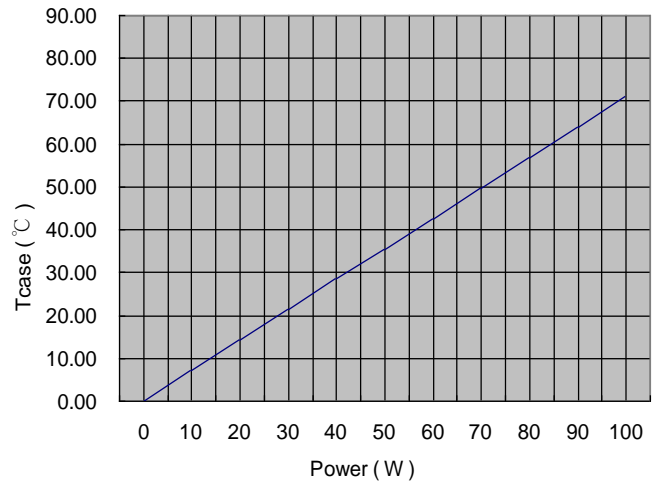


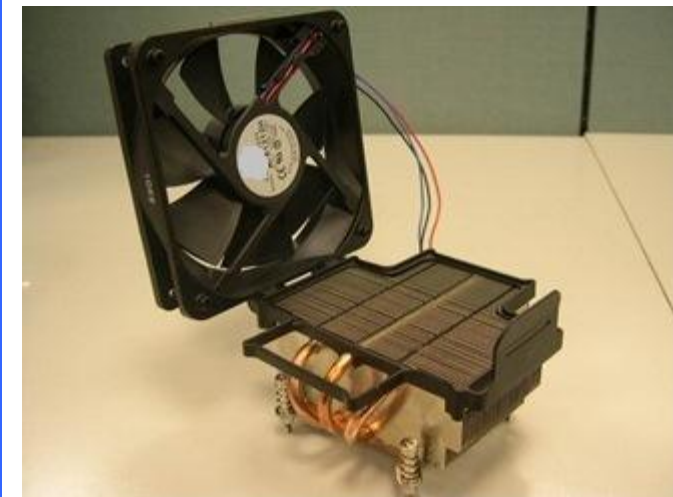
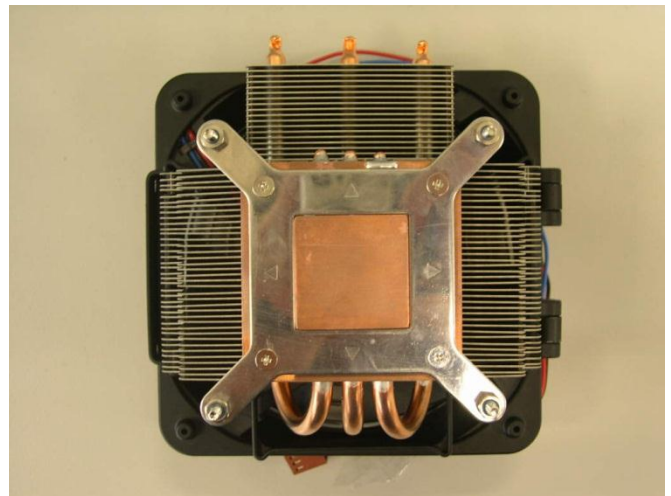
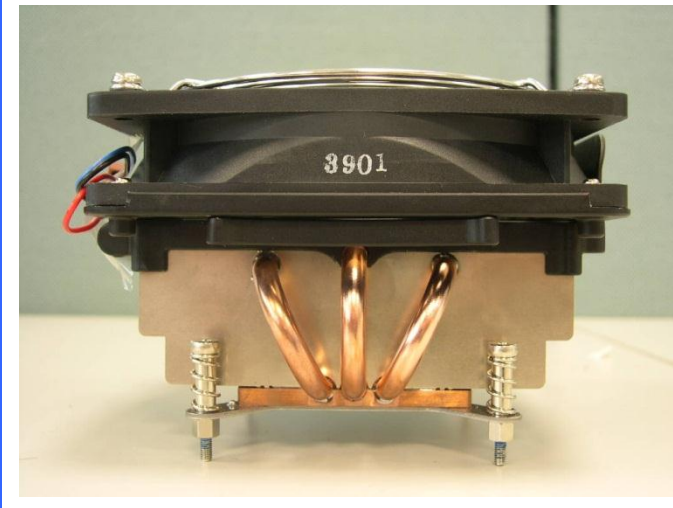
### THERMAL TEST

THERMAL RESITANCE = 0.22 °C /W

Delta 12025 FAN

Ta = 45°C





6F., No.75, Jian'an St., Xinzhuang Dist., New Taipei City 242, Taiwan (R.O.C.)

TEL: 886-2-22065314, 886-928549984

<http://www.twcooling.com>

FAX: 886-2-22065314

E-MAIL : [sales@twcooling.com](mailto:sales@twcooling.com)