

Products Introduction

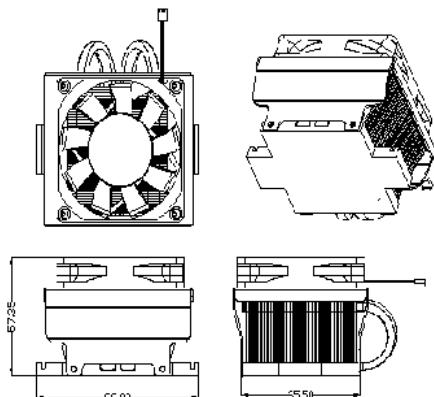
PXH1



SPECIFICATION :

- For Intel Xeon 3.2GHz
- Thermal Resistance : 0.20 °C/W
- Total dimension:88.9(L)x63.5(W)x62.35(H)mm
 - 1) heat sink: 88.9(L)x63.5(W)x42.0(H)mm
 - 2) fan : 70 x 70 x 15mm
- Fan Specification :
 - 1) Speed : 5400 rpm
 - 2) Voltage : 12V
 - 3) Air Flow : 39.45 CFM
 - 4) Noise : 43.4 dBA
 - 5) Bearing : One Ball One Sleeve
- Heat Sink Material :
 - 1) Cu base, Cu Fin
 - 2) Ø6 heat pipe x 2
- Interface Material : Dow Corning SC102
- Weight : 611 g
- Clip Retention Force : 22 lb

DRAWING

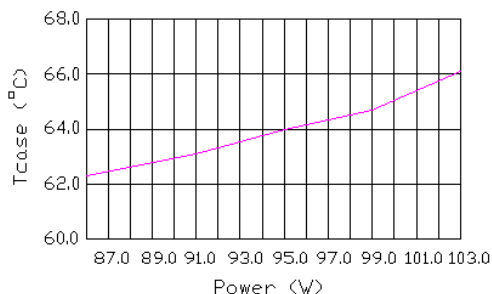


THERMAL TEST

THERMAL RESITANCE = 0.20 °C /W

Delta 7015 FAN

Ta = 45°C



6F., No.75, Jian'an St., Xinzhuang Dist., New Taipei City 242, Taiwan (R.O.C.)

TEL: 886-2-22065314, 886-928549984

<http://www.twcooling.com>

FAX: 886-2-22065314

E-MAIL : sales@twcooling.com